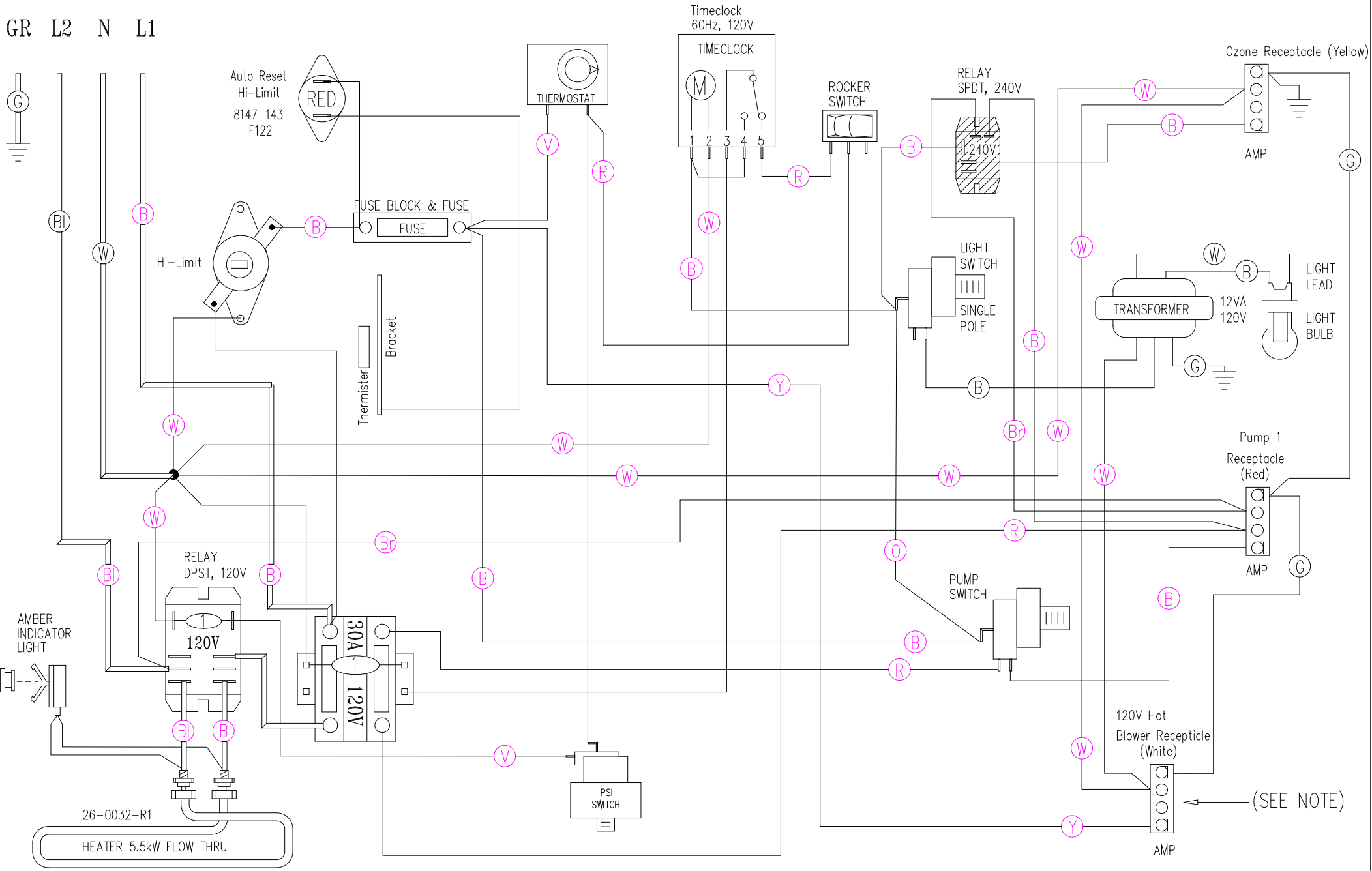


GR L2 N L1



HYDRO-QUIP
CORONA, CA 909.273.7575

Manufacture Notes: ON RELAY INDICATES CAPACITOR.

Approved By:

Dwg. No.
203T0-DKQ

Drawn
BH
Date
06.14.01

Rev
5

Wire Color Code	
B - Black	G - Green
Br - Brown	Bl - Blue
R - Red	V - Violet
O - Orange	W - White
Y - Yellow	Gr - Grey

NOTE: ONLY INSTALL A 120V SWITCHED AIR BLOWER.

Diagram No. **1126**